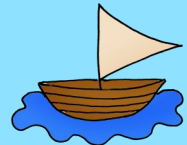




Plus und minus im 100er

12 Stationen mit Zehnerübergang



© Nicole Trapp www.fraulocke-grundschultante.de
Schrift: FrauLockeDruck FrauLockeHand
Aufgaben 5-12: erstellt mit dem Worksheet Crafter

© Frau Locke



Dieses Material stammt von www.fraulocke-grundschultante.de (Nicole Trapp)

Schriften: Frau Locke Druck, Frau Locke Hand

Illustrationen: Nicole Trapp

Aufgaben 5-12: erstellt mit dem Worksheet Crafter

Hinweis:

Du darfst das vorliegende Material **für deinen Unterricht** verwenden. Du darfst es nicht gewerblich nutzen und du darfst es nicht über soziale Netzwerke, Dropbox und ähnliche Dienste verbreiten und weitergeben. Damit verletzt du das Urheberrecht.

Wenn du einen solchen Verstoß bemerkst, melde ihn bitte an: mail@fraulocke-grundschultante.de

Ich freue mich sehr über Kommentare unter dem jeweiligen Beitrag oder im Gästebuch meiner Seite. Du kannst mich auch gerne auf Instagram verlinken: [fraulocke_grundschultante](https://www.instagram.com/fraulocke_grundschultante).

Viel Spaß mit dem Material!

Plus und minus im 100er - Laufzettel

Name: _____



1			
2			
3			
4			
5			
6			

7			
8			
9			
10			
11			
12			

Plus und minus im 100er - Laufzettel

Name: _____



1			
2			
3			
4			
5			
6			

7			
8			
9			
10			
11			
12			

1



Rechne in Schritten.



6	9	+	2	8	=		

6	8	+	1	7	=		

4	2	+	1	9	=		

2	1	+	6	9	=		

6	9	+	2	1	=		

6	8	+	2	5	=		

3	9	+	4	9	=		

4	8	+	1	4	=		

1	7	+	6	5	=		

5	6	+	2	7	=		

3	9	+	2	2	=		

2



Rechne in Schritten.



7	9	+	1	8	=		

3	8	+	2	7	=		

3	2	+	1	8	=		

2	3	+	6	8	=		

6	6	+	2	8	=		

5	8	+	3	5	=		

3	7	+	3	9	=		

3	8	+	1	7	=		

1	8	+	6	3	=		

5	8	+	2	4	=		

5	9	+	2	8	=		

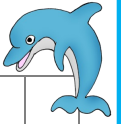
3



Rechne in Schritten.

6	3	-	2	8	=		

6	6	-	1	7	=		



4	2	-	1	9	=		

8	1	-	6	9	=		

6	4	-	2	9	=		

6	2	-	2	5	=		

7	2	-	4	9	=		

4	4	-	1	8	=		

6	1	-	1	7	=		

5	6	-	2	7	=		

3	3	-	2	8	=		

© Frau Locke

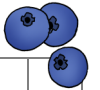
4



Rechne in Schritten.

7	1	-	1	8	=		

8	3	-	2	7	=		



3	2	-	1	8	=		

5	3	-	2	8	=		

6	6	-	2	8	=		

5	5	-	3	8	=		

8	7	-	3	9	=		

9	3	-	1	7	=		

7	1	-	6	3	=		

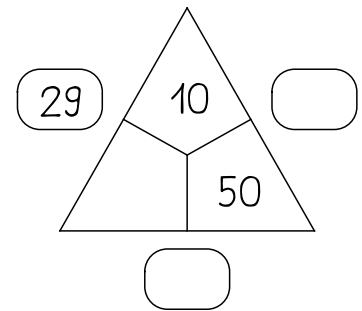
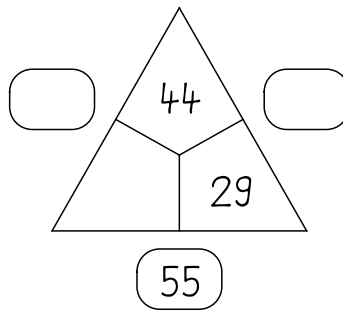
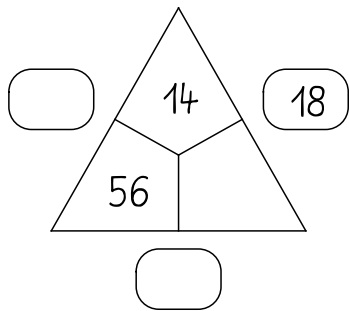
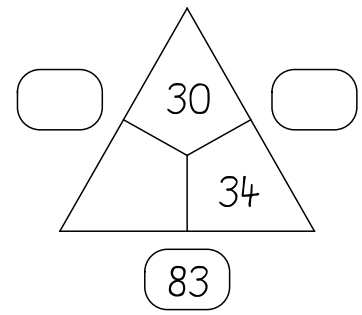
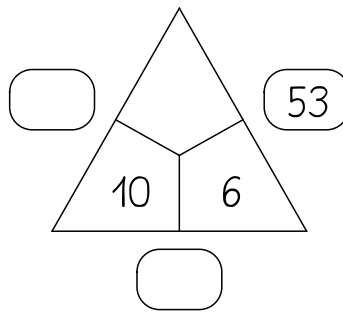
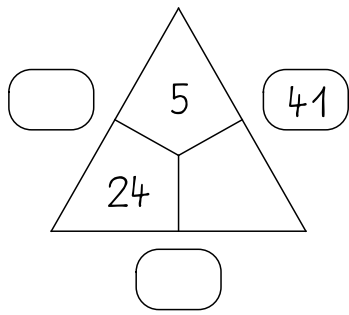
5	4	-	3	9	=		

5	1	-	2	8	=		

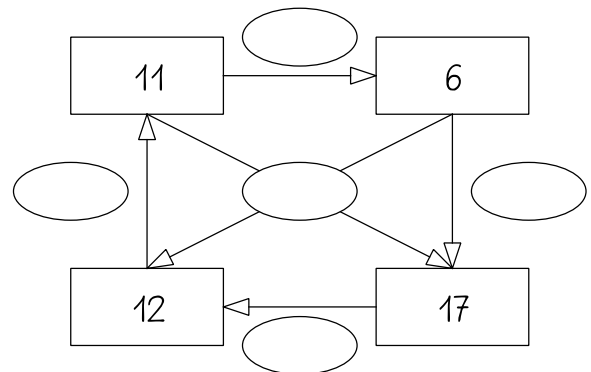
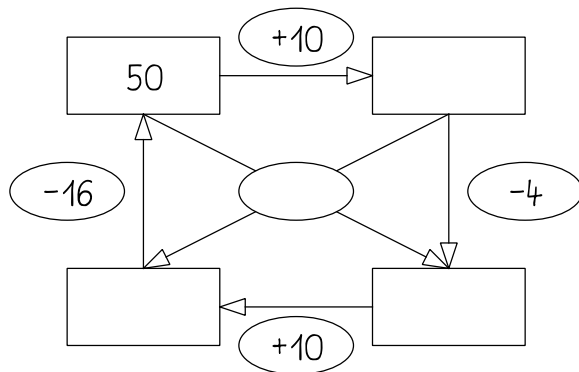
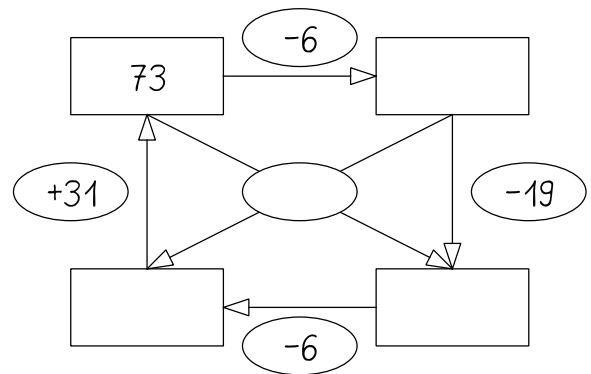
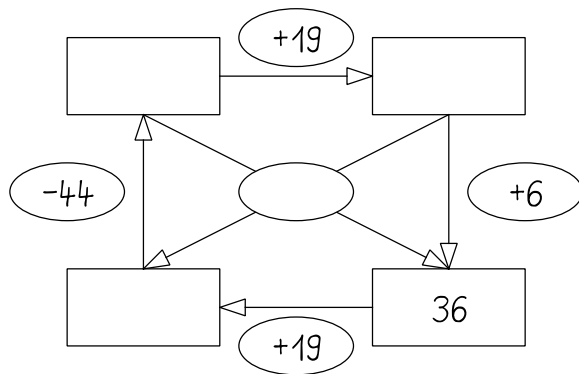
© Frau Locke

5

Löse die Rechendreiecke.



6



7



$26 + 20 = \underline{\quad}$

$51 + 39 = \underline{\quad}$

$49 + 48 = \underline{\quad}$

$70 + 1 = \underline{\quad}$

$6 + 13 = \underline{\quad}$

$56 + 33 = \underline{\quad}$

$43 + 32 = \underline{\quad}$

$28 + 10 = \underline{\quad}$

$55 + 14 = \underline{\quad}$

$6 + 21 = \underline{\quad}$

$25 + 67 = \underline{\quad}$

$43 + 38 = \underline{\quad}$

$32 + 52 = \underline{\quad}$

$26 + 12 = \underline{\quad}$

$44 + 46 = \underline{\quad}$

$19 + 10 = \underline{\quad}$

$78 + 15 = \underline{\quad}$

$68 + 32 = \underline{\quad}$

$29 + 50 = \underline{\quad}$

$34 + 1 = \underline{\quad}$

$60 + 30 = \underline{\quad}$

$44 + 56 = \underline{\quad}$

$19 + 7 = \underline{\quad}$

$14 + 5 = \underline{\quad}$

8



$26 + \underline{\quad} = 46$

$51 + \underline{\quad} = 90$

$49 + \underline{\quad} = 97$

$70 + \underline{\quad} = 71$

$6 + \underline{\quad} = 19$

$56 + \underline{\quad} = 89$

$43 + \underline{\quad} = 75$

$28 + \underline{\quad} = 38$

$55 + \underline{\quad} = 69$

$6 + \underline{\quad} = 27$

$25 + \underline{\quad} = 92$

$43 + \underline{\quad} = 81$

$32 + \underline{\quad} = 84$

$26 + \underline{\quad} = 38$

$44 + \underline{\quad} = 90$

$19 + \underline{\quad} = 29$

$78 + \underline{\quad} = 93$

$68 + \underline{\quad} = 100$

$29 + \underline{\quad} = 79$

$34 + \underline{\quad} = 35$

$60 + \underline{\quad} = 90$

$44 + \underline{\quad} = 100$

$19 + \underline{\quad} = 26$

$14 + \underline{\quad} = 19$

9



$25 - 3 = \underline{\quad}$

$46 - 10 = \underline{\quad}$

$62 - 55 = \underline{\quad}$

$77 - 24 = \underline{\quad}$

$41 - 34 = \underline{\quad}$

$67 - 13 = \underline{\quad}$

$64 - 10 = \underline{\quad}$

$86 - 9 = \underline{\quad}$

$95 - 8 = \underline{\quad}$

$62 - 62 = \underline{\quad}$

$29 - 21 = \underline{\quad}$

$90 - 69 = \underline{\quad}$

$61 - 25 = \underline{\quad}$

$63 - 38 = \underline{\quad}$

$32 - 3 = \underline{\quad}$

$26 - 14 = \underline{\quad}$

$86 - 42 = \underline{\quad}$

$76 - 20 = \underline{\quad}$

$35 - 16 = \underline{\quad}$

$86 - 8 = \underline{\quad}$

$58 - 8 = \underline{\quad}$

$86 - 68 = \underline{\quad}$

$59 - 33 = \underline{\quad}$

$96 - 4 = \underline{\quad}$

10



$24 - \underline{\quad} = 9$

$39 - \underline{\quad} = 7$

$92 - \underline{\quad} = 40$

$85 - \underline{\quad} = 34$

$100 - \underline{\quad} = 85$

$98 - \underline{\quad} = 22$

$39 - \underline{\quad} = 22$

$43 - \underline{\quad} = 30$

$31 - \underline{\quad} = 27$

$28 - \underline{\quad} = 0$

$74 - \underline{\quad} = 60$

$61 - \underline{\quad} = 31$

$55 - \underline{\quad} = 15$

$86 - \underline{\quad} = 17$

$79 - \underline{\quad} = 39$

$96 - \underline{\quad} = 80$

$83 - \underline{\quad} = 74$

$21 - \underline{\quad} = 6$

$34 - \underline{\quad} = 11$

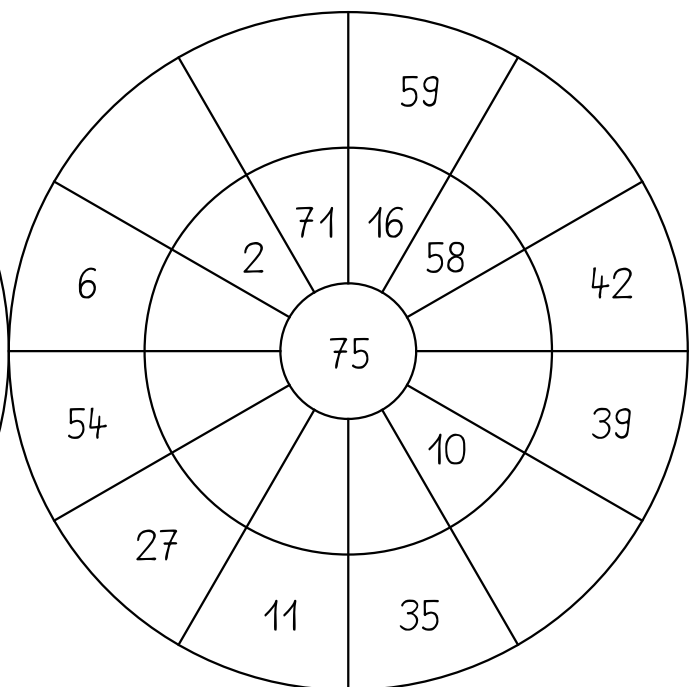
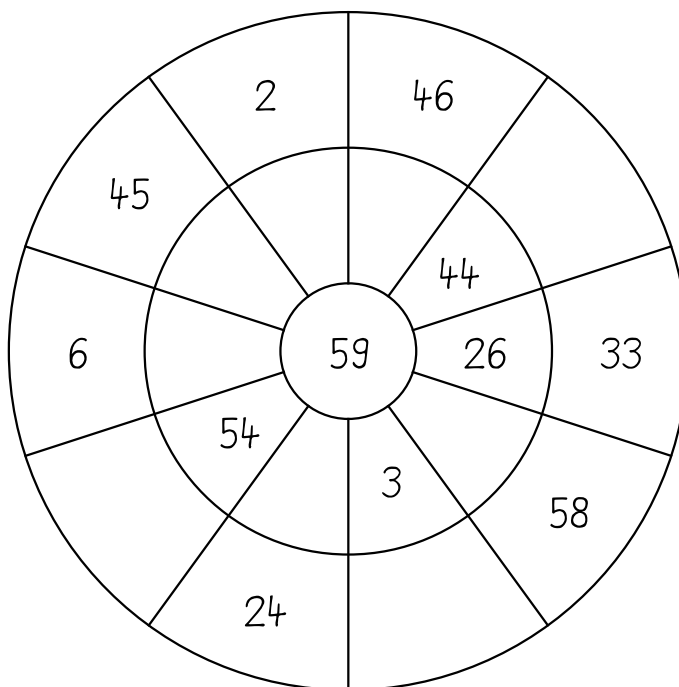
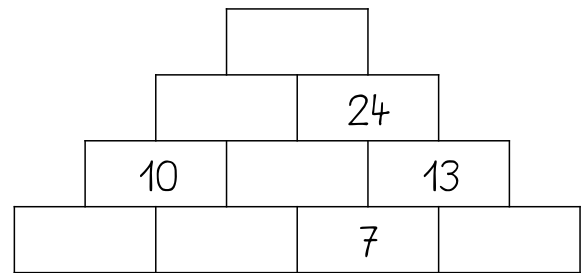
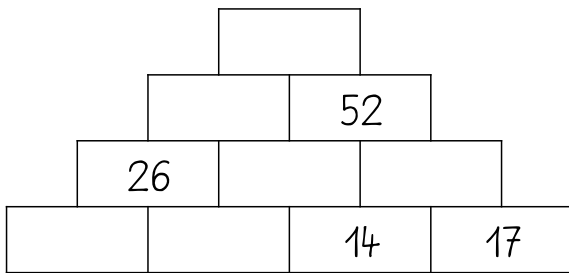
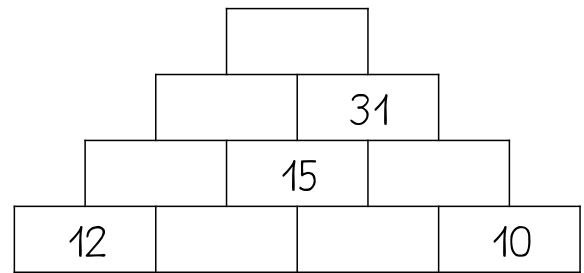
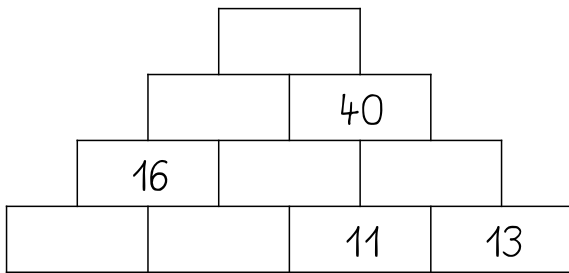
$50 - \underline{\quad} = 10$

$98 - \underline{\quad} = 51$

$25 - \underline{\quad} = 22$

$28 - \underline{\quad} = 8$

$26 - \underline{\quad} = 12$



1

6	9	+	2	8	=	9	7
6	9	+	2	0	=	8	9
8	9	+		8	=	9	7

6	8	+	1	7	=	8	5
6	8	+	1	0	=	7	8
7	8	+		7	=	8	5

4	2	+	1	9	=	6	1
4	2	+	1	0	=	5	2
5	2	+		9	=	6	1

2	1	+	6	9	=	9	0
2	1	+	6	0	=	8	1
8	1	+		9	=	9	0

6	9	+	2	1	=	9	0
6	9	+	2	0	=	8	9
8	9	+		1	=	9	0

6	8	+	2	5	=	9	3
6	8	+	2	0	=	8	8
8	8	+		5	=	9	3

3	9	+	4	9	=	8	8
3	9	+	4	0	=	7	9
7	9	+		9	=	8	8

4	8	+	1	4	=	6	2
4	8	+	1	0	=	5	8
5	8	+		4	=	6	2

1	7	+	6	5	=	8	2
1	7	+	6	0	=	7	7
7	7	+		5	=	8	2

5	6	+	2	7	=	8	3
5	6	+	2	0	=	7	6
7	6	+		7	=	8	3

3	9	+	2	2	=	6	1
3	9	+	2	0	=	5	9
5	9	+		2	=	6	1

2

7	9	+	1	8	=	9	7
7	9	+	1	0	=	8	9
8	9	+		8	=	9	7

3	8	+	2	7	=	6	5
3	8	+	2	0	=	5	8
5	8	+		7	=	6	5

3	2	+	1	8	=	5	0
3	2	+	1	0	=	4	2
4	2	+		8	=	5	0

2	3	+	6	8	=	9	1
2	3	+	6	0	=	8	3
8	3	+		8	=	9	1

6	6	+	2	8	=	9	4
6	6	+	2	0	=	8	6
8	6	+		8	=	9	4

5	8	+	3	5	=	9	3
5	8	+	3	0	=	8	8
8	8	+		5	=	9	3

3	7	+	3	9	=	7	6
3	7	+	3	0	=	6	7
6	7	+		9	=	7	6

3	8	+	1	7	=	5	5
3	8	+	1	0	=	4	8
4	8	+		7	=	5	5

1	8	+	6	3	=	8	1
1	8	+	6	0	=	7	8
7	8	+		3	=	8	1

5	8	+	2	4	=	8	2
5	8	+	2	0	=	7	8
7	8	+		4	=	8	2

5	9	+	2	8	=	8	7
5	9	+	2	0	=	7	9
7	9	+		8	=	8	7

3

6	3	-	2	8	=	3	5
6	3	-	2	0	=	4	3
4	3	-		8	=	3	5

6	6	-	1	7	=	4	9
6	6	-	1	0	=	5	6
5	6	-		7	=	4	9

4	2	-	1	9	=	2	3
4	2	-	1	0	=	3	2
3	2	-		9	=	2	3

8	1	-	6	9	=	1	2
8	1	-	6	0	=	2	1
2	1	-		9	=	1	2

6	4	-	2	9	=	3	5
6	4	-	2	0	=	4	4
4	4	-		9	=	3	5

6	2	-	2	5	=	3	7
6	2	-	2	0	=	4	2
4	2	-		5	=	3	7

7	2	-	4	9	=	2	3
7	2	-	4	0	=	3	2
3	2	-		9	=	2	3

4	4	-	1	8	=	2	6
4	4	-	1	0	=	3	4
3	4	-		8	=	2	6

6	1	-	1	7	=	4	4
6	1	-	1	0	=	5	1
5	1	-		7	=	4	4

5	6	-	2	7	=	2	9
5	6	-	2	0	=	3	6
3	6	-		7	=	2	9

3	3	-	2	8	=		5
3	3	-	2	0	=	1	3
1	3	-		8	=		5

4

7	1	-	1	8	=	5	3
7	1	-	1	0	=	6	1
6	1	-		8	=	5	3

8	3	-	2	7	=	5	6
8	3	-	2	0	=	6	3
6	3	-		7	=	5	6

3	2	-	1	8	=	1	4
3	2	-	1	0	=	2	2
2	2	-		8	=	1	4

5	3	-	2	8	=	2	5
5	3	-	2	0	=	3	3
3	3	-		8	=	2	5

6	6	-	2	8	=	3	8
6	6	-	2	0	=	4	6
4	6	-		8	=	3	8

5	5	-	3	8	=	1	7
5	5	-	3	0	=	2	5
2	5	-		8	=	1	7

8	7	-	3	9	=	4	8
8	7	-	3	0	=	5	7
5	7	-		9	=	4	8

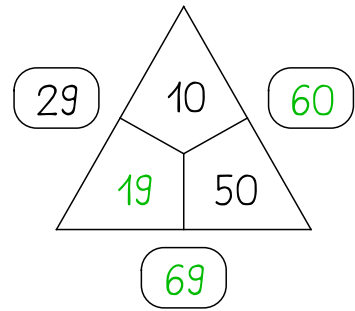
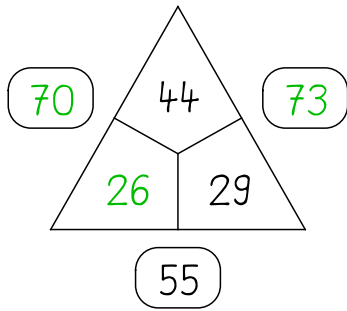
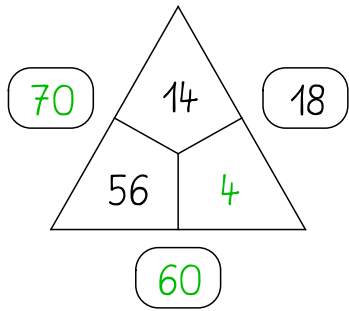
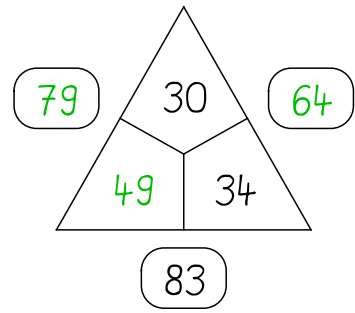
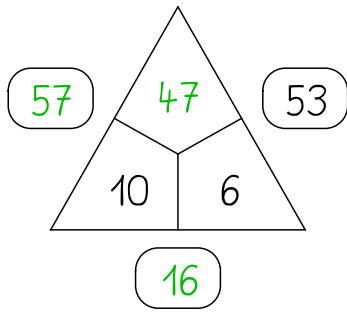
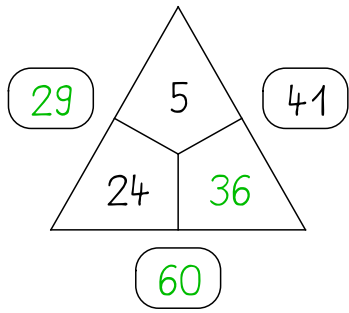
9	3	-	1	7	=	7	6
9	3	-	1	0	=	8	3
8	3	-		7	=	7	6

7	1	-	6	3	=		8
7	1	-	6	0	=	1	1
1	1	-		3	=		8

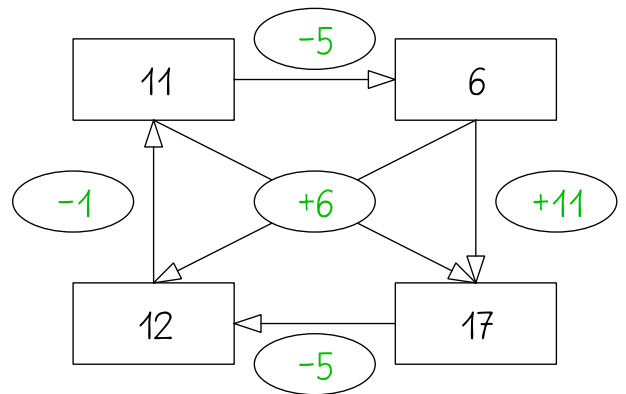
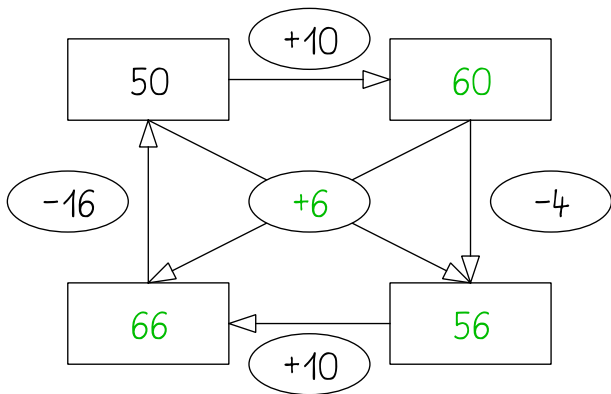
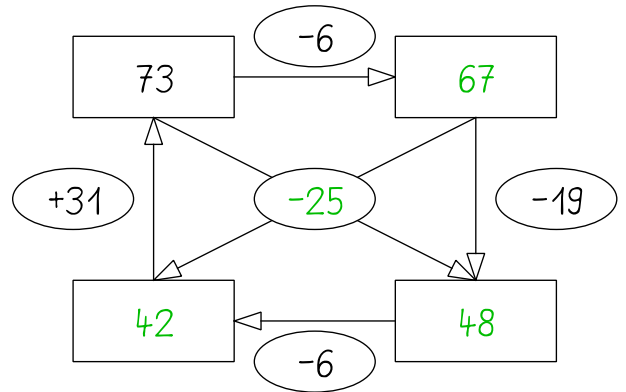
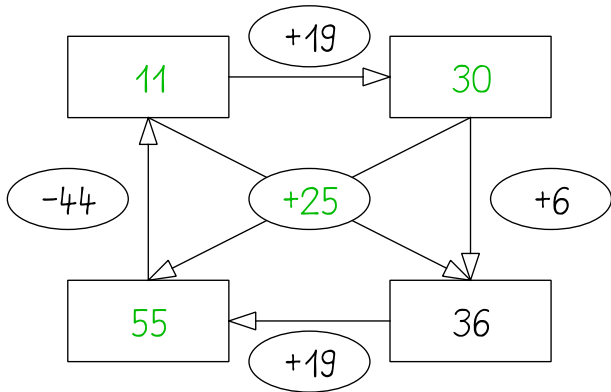
5	4	-	3	9	=	1	5
5	4	-	3	0	=	2	4
2	4	-		9	=	1	5

5	1	-	2	8	=	2	3
5	1	-	2	0	=	3	1
3	1	-		8	=	2	3

5



6



7

$26 + 20 = \underline{46}$

$51 + 39 = \underline{90}$

$49 + 48 = \underline{97}$

$70 + 1 = \underline{71}$

$6 + 13 = \underline{19}$

$56 + 33 = \underline{89}$

$43 + 32 = \underline{75}$

$28 + 10 = \underline{38}$

$55 + 14 = \underline{69}$

$6 + 21 = \underline{27}$

$25 + 67 = \underline{92}$

$43 + 38 = \underline{81}$

$32 + 52 = \underline{84}$

$26 + 12 = \underline{38}$

$44 + 46 = \underline{90}$

$19 + 10 = \underline{29}$

$78 + 15 = \underline{93}$

$68 + 32 = \underline{100}$

$29 + 50 = \underline{79}$

$34 + 1 = \underline{35}$

$60 + 30 = \underline{90}$

$44 + 56 = \underline{100}$

$19 + 7 = \underline{26}$

$14 + 5 = \underline{19}$

8

$26 + \underline{20} = 46$

$51 + \underline{39} = 90$

$49 + \underline{48} = 97$

$70 + \underline{1} = 71$

$6 + \underline{13} = 19$

$56 + \underline{33} = 89$

$43 + \underline{32} = 75$

$28 + \underline{10} = 38$

$55 + \underline{14} = 69$

$6 + \underline{21} = 27$

$25 + \underline{67} = 92$

$43 + \underline{38} = 81$

$32 + \underline{52} = 84$

$26 + \underline{12} = 38$

$44 + \underline{46} = 90$

$19 + \underline{10} = 29$

$78 + \underline{15} = 93$

$68 + \underline{32} = 100$

$29 + \underline{50} = 79$

$34 + \underline{1} = 35$

$60 + \underline{30} = 90$

$44 + \underline{56} = 100$

$19 + \underline{7} = 26$

$14 + \underline{5} = 19$

9

$25 - 3 = \underline{22}$

$46 - 10 = \underline{36}$

$62 - 55 = \underline{7}$

$77 - 24 = \underline{53}$

$41 - 34 = \underline{7}$

$67 - 13 = \underline{54}$

$64 - 10 = \underline{54}$

$86 - 9 = \underline{77}$

$95 - 8 = \underline{87}$

$62 - 62 = \underline{0}$

$29 - 21 = \underline{8}$

$90 - 69 = \underline{21}$

$61 - 25 = \underline{36}$

$63 - 38 = \underline{25}$

$32 - 3 = \underline{29}$

$26 - 14 = \underline{12}$

$86 - 42 = \underline{44}$

$76 - 20 = \underline{56}$

$35 - 16 = \underline{19}$

$86 - 8 = \underline{78}$

$58 - 8 = \underline{50}$

$86 - 68 = \underline{18}$

$59 - 33 = \underline{26}$

$96 - 4 = \underline{92}$

10

$24 - \underline{15} = 9$

$39 - \underline{32} = 7$

$92 - \underline{52} = 40$

$85 - \underline{51} = 34$

$100 - \underline{15} = 85$

$98 - \underline{76} = 22$

$39 - \underline{17} = 22$

$43 - \underline{13} = 30$

$31 - \underline{4} = 27$

$28 - \underline{28} = 0$

$74 - \underline{14} = 60$

$61 - \underline{30} = 31$

$55 - \underline{40} = 15$

$86 - \underline{69} = 17$

$79 - \underline{40} = 39$

$96 - \underline{16} = 80$

$83 - \underline{9} = 74$

$21 - \underline{15} = 6$

$34 - \underline{23} = 11$

$50 - \underline{40} = 10$

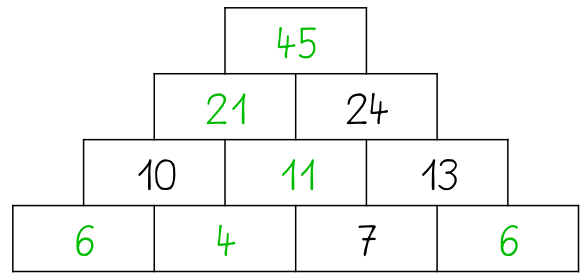
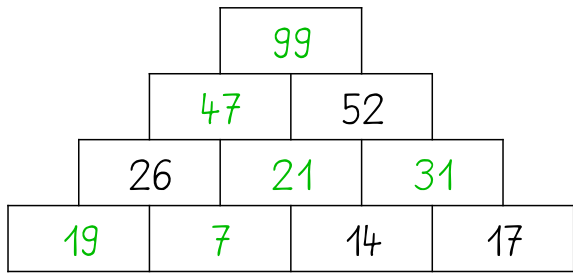
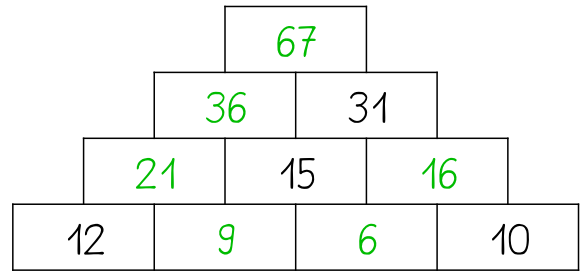
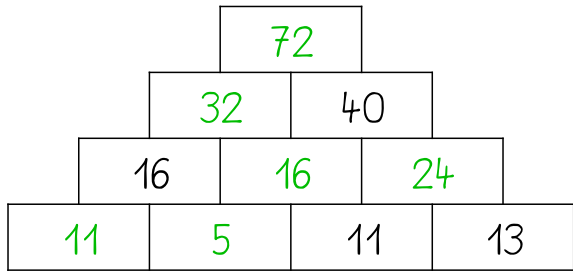
$98 - \underline{47} = 51$

$25 - \underline{3} = 22$

$28 - \underline{20} = 8$

$26 - \underline{14} = 12$

11



12

